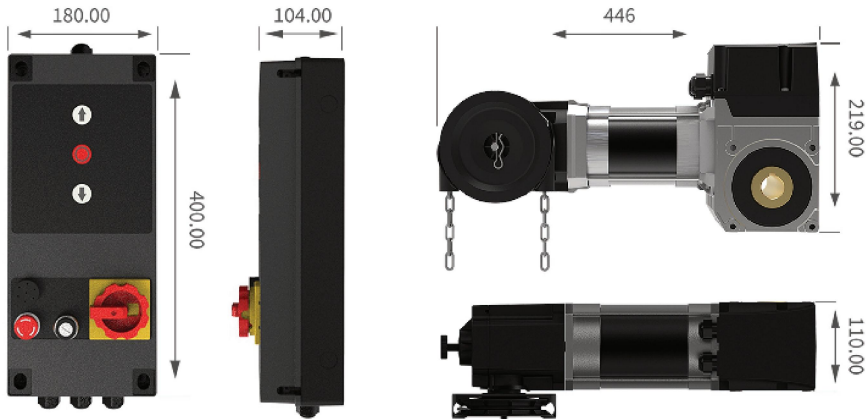


CUBE Industrial Door Opener



Industrial Door Opener

CBI Series

60Nm - 100Nm - 150Nm



General

<i>Dimensions (L*W*H mm)</i>	446*174*112
<i>Input voltage</i>	110V / 230V(1+10%) or 380V-420V
<i>Control system</i>	24V DC
<i>Static holding torque</i>	400Nm
<i>Max. output speed</i>	24rpm
<i>Limit switch range</i>	15turns
<i>Sleeve shaft diameter</i>	φ25.4mm / φ31.75 mm
<i>Thermal protection temperature</i>	105 °C
<i>Current</i>	3.1A
<i>Max. cycles per hour</i>	20
<i>Class of protection</i>	IP54
<i>Temperature range</i>	- 20 °C ~ + 60 °C

Door Type

	AC60	AC100	AC150
		<i>Door size(max.)/m²</i>	
<i>Standard Lifting</i>	24	30	40
<i>High Lifting</i>	24	30	40
<i>Vertical Lifting</i>	18	25	35
		<i>Door weight(max.)/kg</i>	
<i>Standard Lifting</i>	312	390	520
<i>High Lifting</i>	312	390	520
<i>Vertical Lifting</i>	234	325	455